

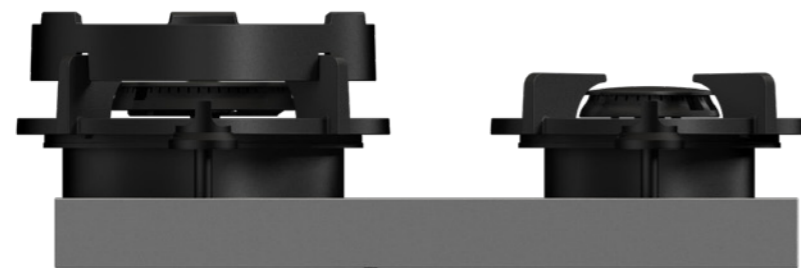
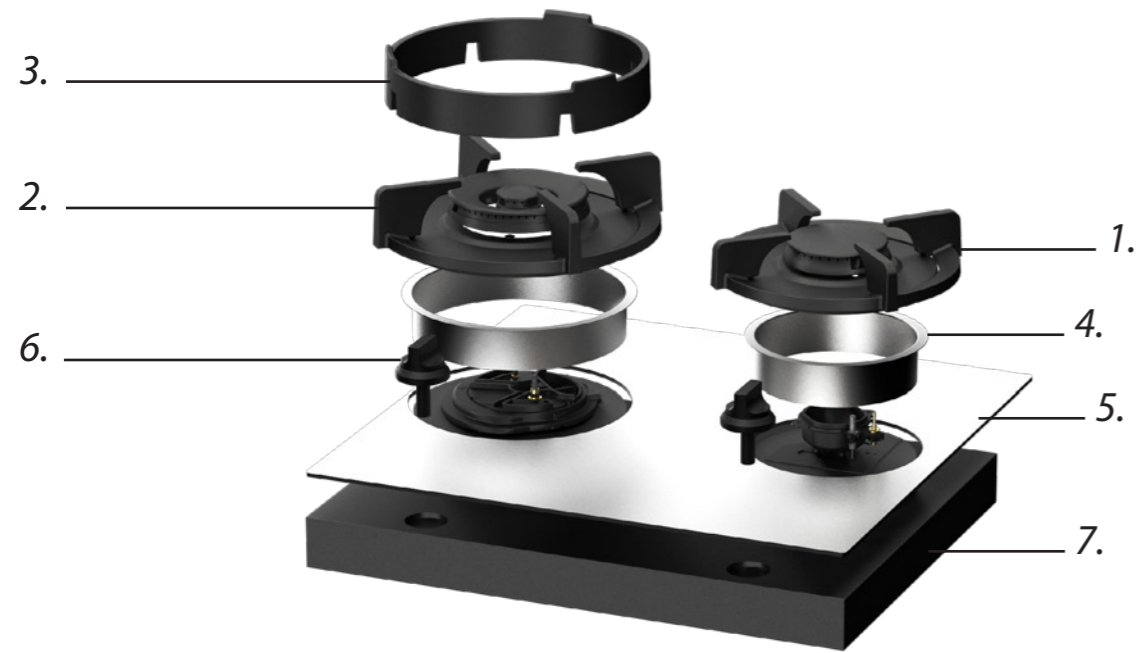
Made in Holland

PITT
COOKING



Gas
Baula
Top Side

Exploded view



1. **Medium burner**
ENAMELED CAST IRON

2. **Wok-/simmer burner**
ENAMELED CAST IRON

3. **Wok ring**
ENAMELED CAST IRON

4. **Flange**
STEEL

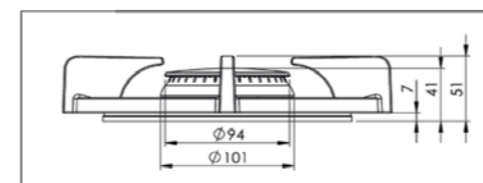
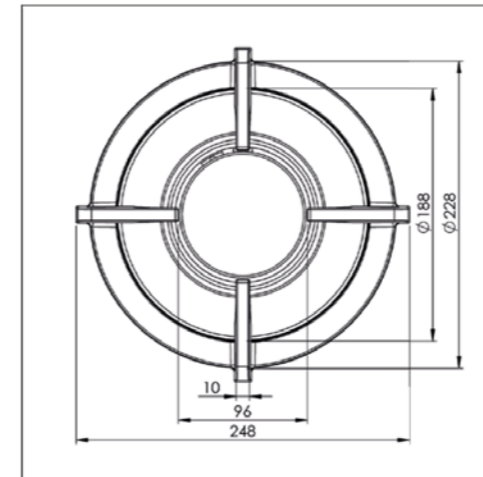
5. **Heat conductor**
ALUMINIUM

6. **Control knob**
ANODISED ALUMINIUM

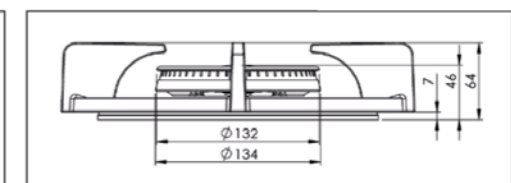
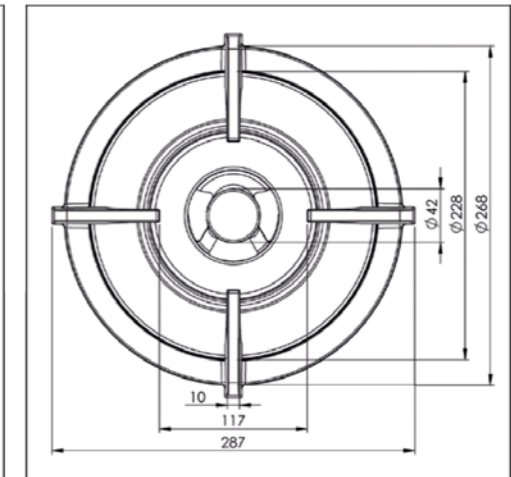
7. **Cassette unit**
GALVANIZED STEEL

Burners

Medium burner



Wok-/simmer burner



MEDIUM BURNER

MIN. POWER
0,3 kW

DIAM. BURNER
Ø 230 mm

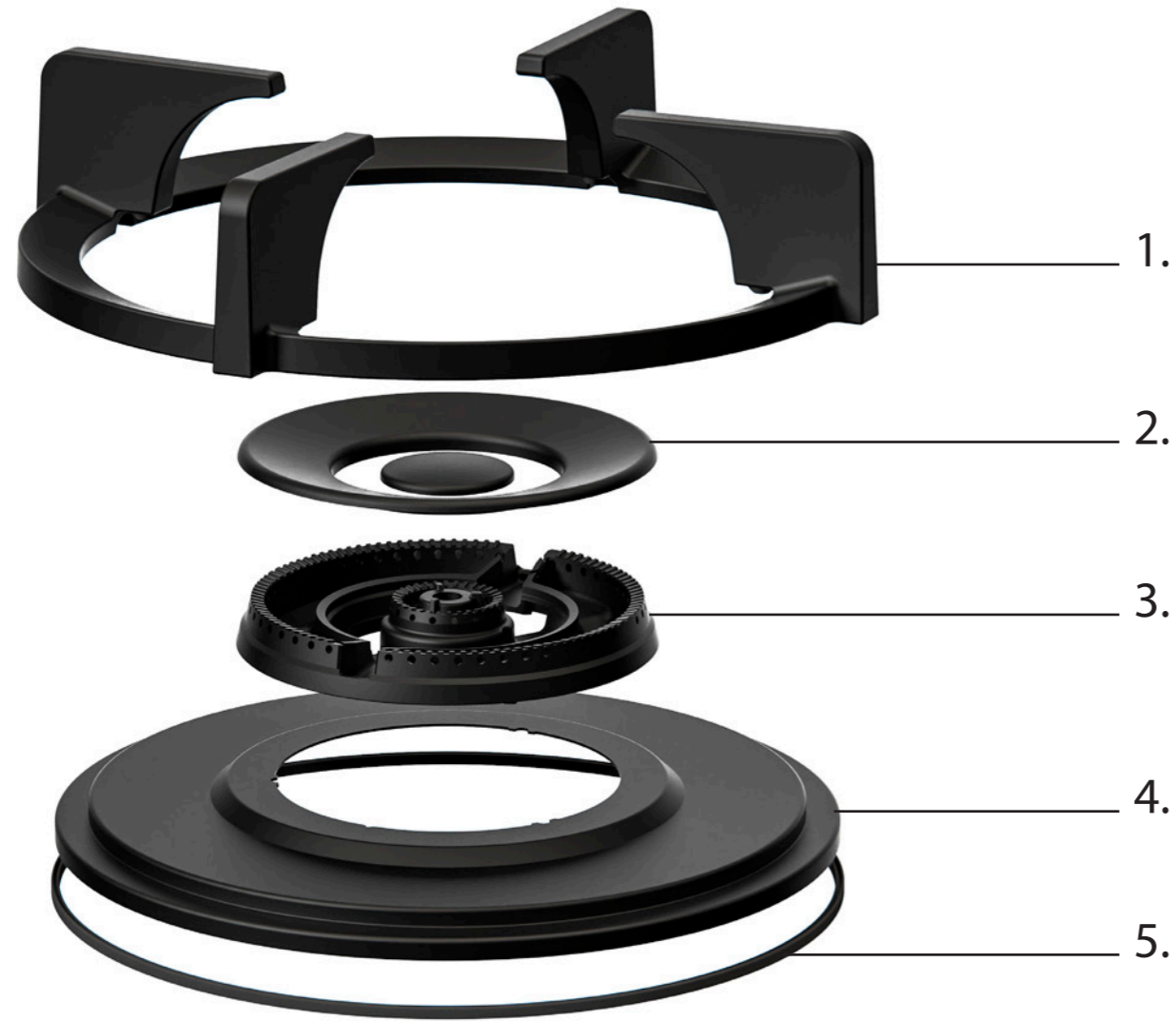
MAX. POWER
3 kW

WOK-/SIMMER BURNER

MIN. POWER
0,2 kW

DIAM. BURNER
Ø 270 mm

MAX. POWER
5 kW



1. **Pan support**
ENAMELED CAST IRON

2. **Burner caps**
ENAMELED CAST IRON

3. **Flame spreader**
(COATED BRASS)

4. **Heat shield**
ENAMELED STEEL

5. **Silicone ring**
SILICONE

Professional edition
HEAVY BRASS BURNERS.
FOR THOSE WHO WANT TO COOK IN STYLE



MEDIUM BURNER



WOK-/SIMMER BURNER

Black edition
HEAVY BRASS BURNERS.
BLACK BURNERS WITH A BLACK SURFACE.
STYLISH AND REFINED.



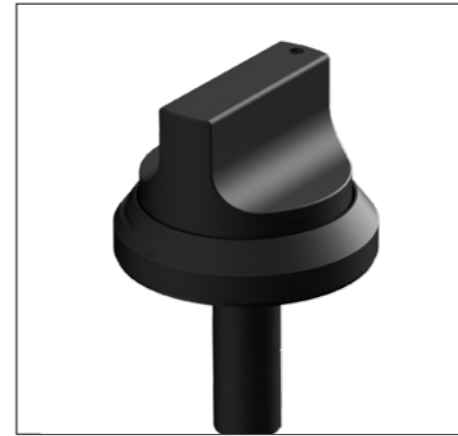
MEDIUM BURNER



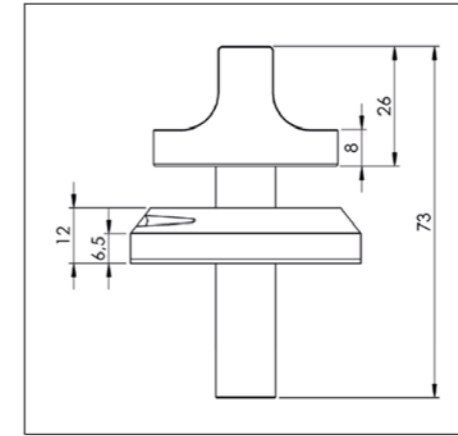
WOK-/SIMMER BURNER

Control knob Top Side

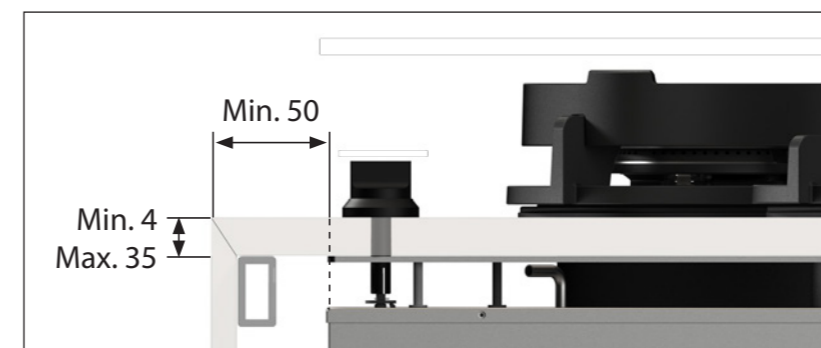
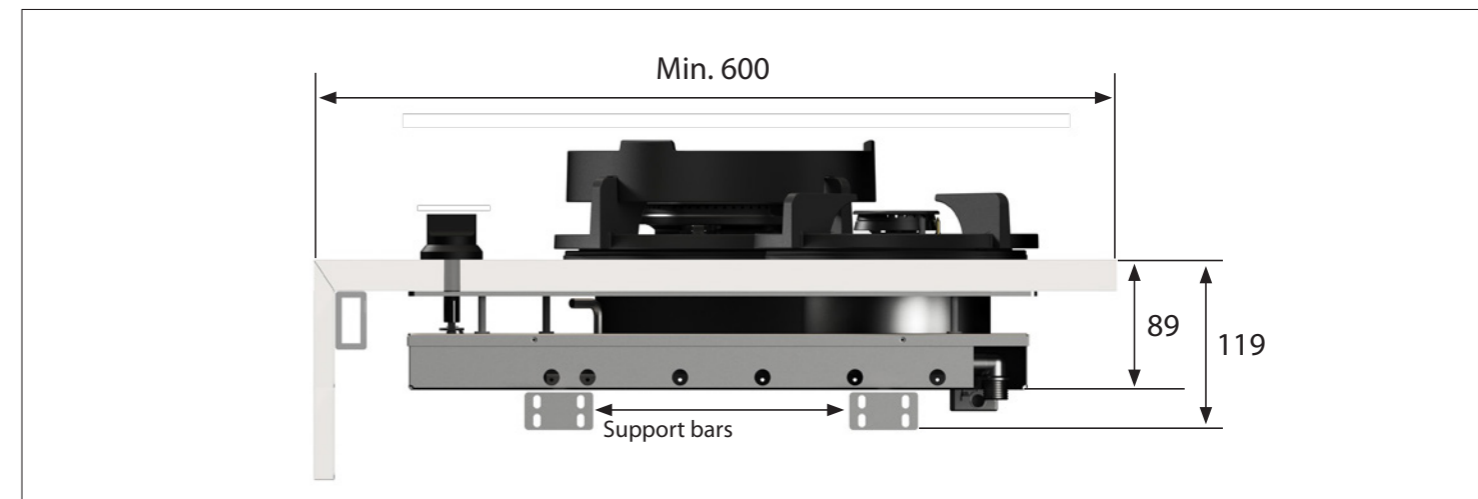
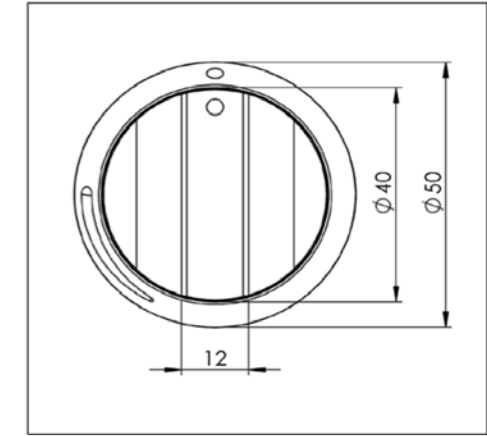
3D-image Top Side knob



Front view Top Side knob



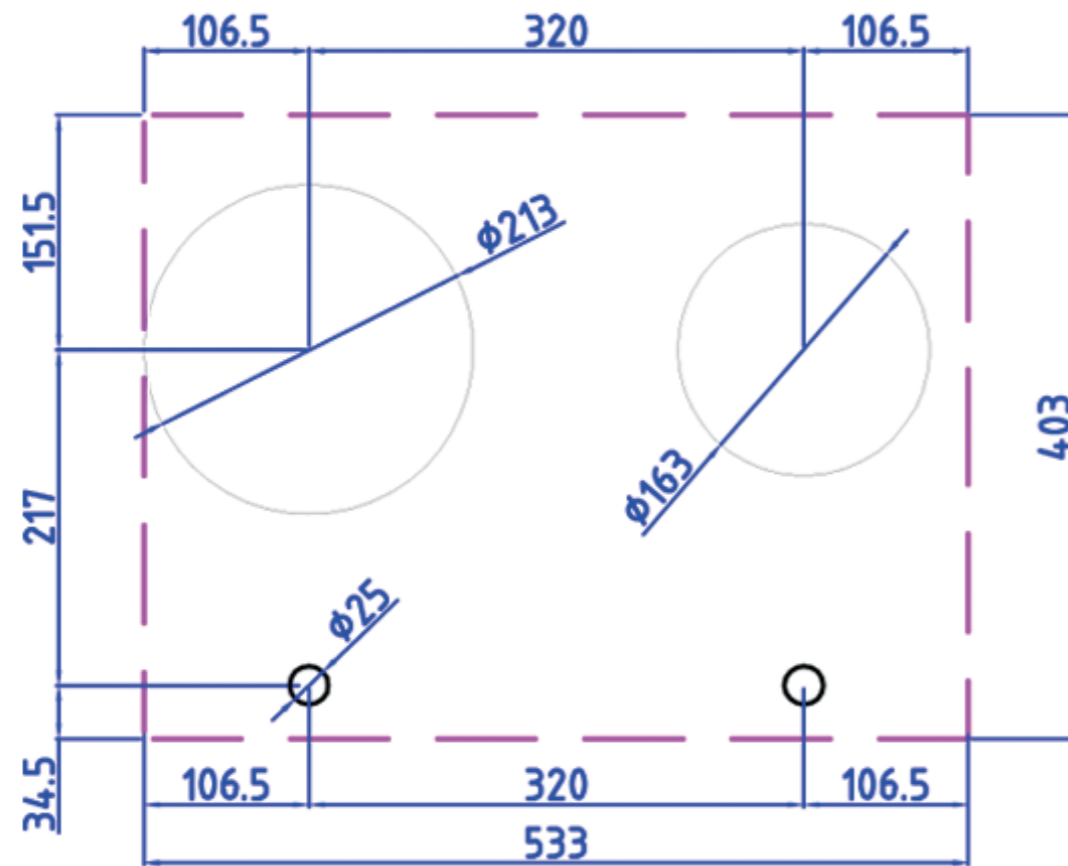
Top view Top Side knob



Important

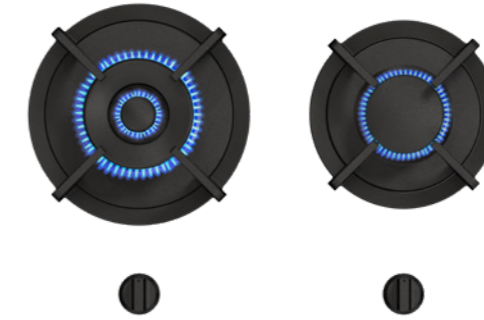
- Minimal countertop depth: 600 mm
- Total height PITT unit incl. support bar set: 119 mm
- Countertop thickness: 4-35 mm
- The C-size is a **minimal** size

Hole pattern



RAIHA

Technical specifications



Model	Baula Top Side
Type of burners	1x burner medium (0,3 - 3 kW) 1x wok-/simmer burner (0,2 - 5 kW)
Editions	Professional (brass) Black (full black)
The controls	Top Side
Module dimensions (LxWxH)	533 x 403 x 89 mm
Automatic spark ignition	✓
Flame protection	✓
Weight	19,5 kg
Wok ring	✓
Gas & Electricity	
Type of gas suitable	Natural gas, LPG (Bottled gas)
Type of gas connection	½" external threads
Position gas connection	Top corner, right
Voltage	220V-110V (default) / 1,5V (battery)
Cord length	1500 mm / 591/16"



Installation and handling instructions gas



Installation manual Top Side gas



User manual gas